



# NVENT CADDY SPEED LINK LD WITH HOOK, S304, 1.5 MM WIRE, 16.4' LENGTH

## CATALOG NUMBER

**SLD15L5S**



## CERTIFICATIONS



## FEATURES

Complete system includes wire, locking device and pre-assembled hook end fitting

Hooks to a wide range of nVent CADDY fasteners

Fastens to the building structure or hanging services by looping around and hooking to wire rope

Easy to remove for applications requiring maintenance

Spring latch helps provide secure connection

Insert cable through hole and use bottom side of hook as an end stop

## PRODUCT ATTRIBUTES

Material: Stainless Steel 304 (EN 1.4301)

Static Load Safety Factor: 5:1

Wire Rope Diameter: 1.5 mm

Wire Rope Length: 16.4'

A: 2.3"

B: 0.9"

C: 1/4"

Static Load (F): 44lb

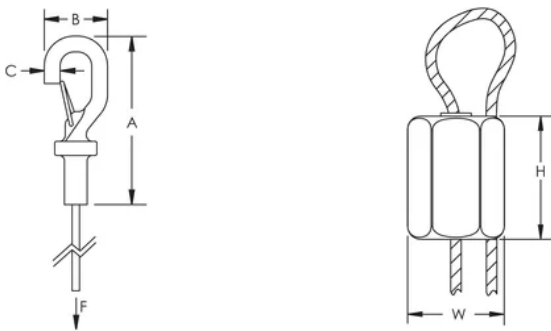
Height (H): 3/4"

Width (W): 1/2"

## ADDITIONAL PRODUCT DETAILS

Wire and pre-assembled hook end fitting made of Stainless Steel 316 (1.4401).

## DIAGRAMS



## WARNING

nVent products shall be installed and used only as indicated in nVent's product instruction sheets and training materials. Instruction sheets are available at [www.nvent.com](http://www.nvent.com) and from your nVent customer service representative. Improper installation, misuse, misapplication or other failure to completely follow nVent's instructions and warnings may cause product malfunction, property damage, serious bodily injury and death and/or void your warranty.

### North America

+1.800.753.9221

Option 1 – Customer Care

Option 2 – Technical Support

### Europe

Netherlands:

+31 800-0200135

France:

+33 800 901 793

### Europe

Germany:

800 1890272

Other Countries:

+31 13 5835404

### APAC

Shanghai:

+ 86 21 2412 1618/19

Sydney:

+61 2 9751 8500



Our powerful portfolio of brands:  
nVent.com **CADDY ERICO HOFFMAN RAYCHEM SCHROFF**  
**TRACER**

© 2025 nVent. All nVent marks and logos are owned or licensed by nVent Services GmbH or its affiliates. All other trademarks are the property of their respective owners.

nVent reserves the right to change specifications without notice.