



## CABLE/CONDUIT CLIP, 14-2 TO 12-3 MC/AC, 0.472" MAX

### CATALOG NUMBER

---

**KX**



### CERTIFICATIONS

---



### FEATURES

---

Supports conduit to rod, wire or flange

Can also be used for flexible metallic tubing, armored cable, portable cables, control tubes and communications cable

Available for EMT, rigid, ENT, IMT, MC/AC and aluminum conduit

No installation tools required

### PRODUCT ATTRIBUTES

---

Material: Spring Steel

Finish: nVent CADDY Armour

MC/AC Cable Size: 14-2 to 12-3

Outer Diameter (OD): 0.47" Max

## ADDITIONAL PRODUCT DETAILS

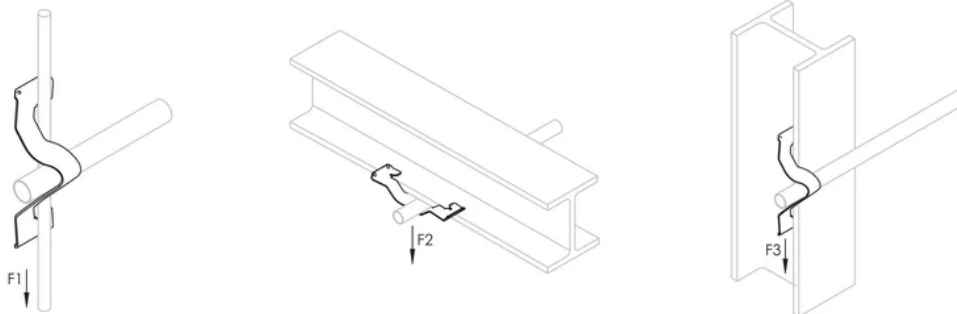
May require dedicated drop wire/rod and EC311. Consult local authority.

For horizontal application only when installing conduit.

| Conduit Size | #10 or #12 Wire | #8 or #9 Wire | 3/16" or 1/4" Rod | 1/8" - 1/4" Flange | 5/16" - 3/8" Flange | 7/16" - 1/2" Flange |
|--------------|-----------------|---------------|-------------------|--------------------|---------------------|---------------------|
| 1/2" EMT     | K8              | K8            | K8                | K8                 | K12                 | K12                 |
| 1/2" Rigid   | K8              | K12           | K12               | K12                | K12                 | K16                 |
| 3/4" EMT     | K12             | K12           | K12               | K12                | K16                 | K16                 |
| 3/4" Rigid   | K12             | K12           | K16               | K16                | K20                 | K20                 |
| 1" EMT       | -               | K16           | K16               | K16                | K20                 | K20                 |
| 1" Rigid     | -               | -             | -                 | K20                | K20                 | K20                 |
| 1 1/4" EMT   | -               | K20           | K20               | K20                | -                   | -                   |

| Cable Size              | #12 Wire | #8, #9, #10 Wire |
|-------------------------|----------|------------------|
| 14-2 (.433" - .475" OD) | KX       | KX               |
| 14-3 (.453" - .500" OD) | KX       | KX               |
| 12-2 (.467" - .510" OD) | KX       | KX               |
| 12-3 (.489" - .535" OD) | KX       | K8               |

## DIAGRAMS



## WARNING

nVent products shall be installed and used only as indicated in nVent's product instruction sheets and training materials. Instruction sheets are available at [www.nvent.com](http://www.nvent.com) and from your nVent customer service representative. Improper installation, misuse, misapplication or other failure to completely follow nVent's instructions and warnings may cause product malfunction, property damage, serious bodily injury and death and/or void your warranty.

**North America**

+1.800.753.9221

Option 1 – Customer Care

Option 2 – Technical Support

**Europe**

Netherlands:

+31 800-0200135

France:

+33 800 901 793

**Europe**

Germany:

800 1890272

Other Countries:

+31 13 5835404

**APAC**

Shanghai:

+ 86 21 2412 1618/19

Sydney:

+61 2 9751 8500



Our powerful portfolio of brands:  
**nVent.com CADDY ERICO HOFFMAN RAYCHEM SCHROFF**  
**TRACER**