

NVENT LENTON SPEED SLEEVE COUPLER



The nVent LENTON Speed Sleeve splice is a proven, quick and economical method of making compression-only splices in steel reinforced concrete projects. The system is designed to allow compressive loads to be transferred by aligning square cut reinforcing steel bar ends.

nVent LENTON Speed Sleeve is simple and easy to install. The small dimensions of the sleeve generally eliminate the need for additional concrete cover on the reinforcing steel because the sleeve is typically thinner than the column stirrups.

FEATURES

Bars can be individually secured

Fast, one-man installation

Requires only a lightweight ratchet wrench to install

Can be used on bundled bars

Self supporting; no tack welding is needed

Transition splices can be made using simple adaptor inserts

SPECIFICATIONS

Finish: Electrogalvanized

Material: Steel

Catalog Number	Item Name	Rebar Size, Metric	Rebar Size, US	Rebar Size, Canada	Width(W)	Length(L)	Height(H)	Socket Width(SW)	Number of Bolts	Unit Weight
RBW26810	145535	32 mm	#10		67 mm	154 mm	47 mm	16 mm	4	0.280 kg
RBW2687	145500	22 mm	#7		64 mm	152 mm	45 mm	16 mm	3	0.530 kg
RBW2686	145495	20 mm	#6	20M	54 mm	154 mm	37 mm	16 mm	3	0.540 kg
RBW2688	145510	25 mm	#8	25M	55 mm	154 mm	42 mm	16 mm	3	0.590 kg
RBW2689	145520	28 mm	#9	30M	63 mm	154 mm	45 mm	16 mm	3	0.590 kg
RBW26811	145540	36 mm	#11	35M	67 mm	203 mm	54 mm	16 mm	4	0.910 kg
RBW26814		43 mm	#14	45M	77 mm	280 mm	52 mm	16 mm	4	1.380 kg
RBW26818	145560	57 mm	#18	55M	92 mm	305 mm	69 mm	16 mm	4	2.290 kg

Catalog Number	Item Name	Rebar Size, Metric	Rebar Size, US	Rebar Size, Canada	Width(W)	Length(L)	Height(H)	Socket Width(SW)	Number of Bolts	Unit Weight
RBW2684 0MM	145550	40 mm			74 mm	280 mm	52 mm	16 mm	4	1.350 kg
RBW2685 0	145555	50 mm			89 mm	300 mm	64 mm	16 mm	4	1.600 kg

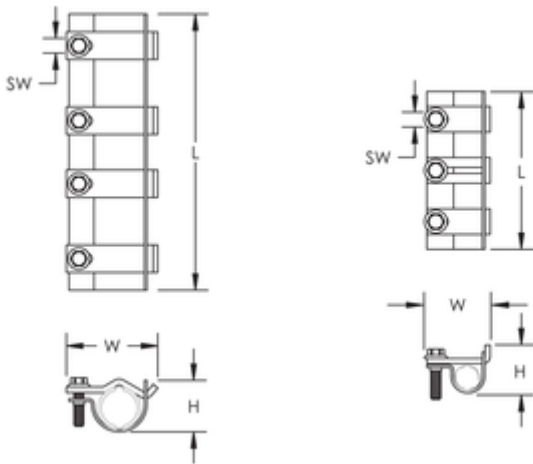
ADDITIONAL PRODUCT DETAILS

nVent LENTON Speed Sleeve is a compression-only splicing system. It should never be used for tension applications.

Coupler sizes not shown may be available by special order. Contact your nVent LENTON representative for more information.

Prior to installation, please read and understand all of the detailed instructions and safety notices provided in the installation instructions.

DIAGRAMS



WARNING

nVent products shall be installed and used only as indicated in nVent's product instruction sheets and training materials. Instruction sheets are available at www.nvent.com and from your nVent customer service representative. Improper installation, misuse, misapplication or other failure to completely follow nVent's instructions and warnings may cause product malfunction, property damage, serious bodily injury and death and/or void your warranty.

North America

+1.800.753.9221

Option 1 – Customer Care

Option 2 – Technical Support

Europe

Netherlands:

+31 800-0200135

France:

+33 800 901 793

Europe

Germany:

800 1890272

Other Countries:

+31 13 5835404

APAC

Shanghai:

+ 86 21 2412 1618/19

Sydney:

+61 2 9751 8500



Our powerful portfolio of brands:
nVent.com CADDY ERICO HOFFMAN RAYCHEM SCHROFF
TRACER