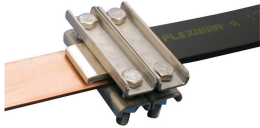


# HCBC HIGH CURRENT BUSBAR CLAMP



## CERTIFICATIONS



## FEATURES

Connects copper busbar to copper busbar, nVent ERIFLEX Flexibar or power shunt

Made with non-magnetic materials for high current connections between nVent ERIFLEX Flexibar and rigid busbars such as transformer terminals

Rigid design assures even contact pressure

Installs quickly and easily

Ideal for on site modifications

RoHS compliant

## SPECIFICATIONS

**Clamping Capacity:** 40 mm

**Material:** Stainless Steel 304 (EN 1.4301)

Catalog Number	Item Name	Conductor Width	Depth(D)	Width(W)	Height(H)	Thickness(T)	Torque(TQ)	Unit Weight
HCBC100	553110	100 mm	20 mm	160 mm	43 mm	4 mm	100 N-m	0.920 kg
HCBC120	553120	120 mm	20 mm	180 mm	43 mm	4 mm	100 N-m	1 kg
HCBC80	553100	80 mm	20 mm	140 mm	43 mm	4 mm	100 N-m	0.840 kg

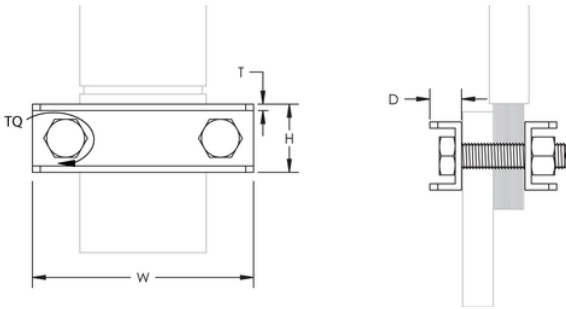
## ADDITIONAL PRODUCT DETAILS

---

Use two clamps for optimal contact pressure.

## DIAGRAMS

---



## WARNING

---

nVent products shall be installed and used only as indicated in nVent's product instruction sheets and training materials. Instruction sheets are available at [www.nvent.com](http://www.nvent.com) and from your nVent customer service representative. Improper installation, misuse, misapplication or other failure to completely follow nVent's instructions and warnings may cause product malfunction, property damage, serious bodily injury and death and/or void your warranty.

### North America

+1.800.753.9221  
Option 1 – Customer Care  
Option 2 – Technical Support

### Europe

Netherlands:  
+31 800-0200135  
France:  
+33 800 901 793

### Europe

Germany:  
800 1890272  
Other Countries:  
+31 13 5835404

### APAC

Shanghai:  
+ 86 21 2412 1618/19  
Sydney:  
+61 2 9751 8500



Our powerful portfolio of brands:  
**nVent.com CADDY ERICO HOFFMAN RAYCHEM SCHROFF**  
**TRACER**