



NVENT CADDY SPEED LINK SLS WITH THREADED STUD END



CERTIFICATIONS



FEATURES

Complete system includes wire, locking device and pre-assembled threaded stud end fitting

Attaches to structures with threaded anchors or devices with threaded hole

Finger tightening of nut secures the locking device into position without tools

Installs in strut profiles without the need to insert fingers or tools into the strut

SPECIFICATIONS

Wire Rope Diameter:	2 mm
Static Load Safety Factor:	5:1
Finish:	Electrogalvanized
Material:	Steel; Polypropylene; Zinc Alloy
Complies With:	SMACNA HVAC-DCS

Catalog Number	Item Name	Wire Rope Length	Rod Size(RS)	Screw Length(L)	Static Load(F)
SLS2L2SEM8	196756	2 m	M8	45 mm	270 N
SLS2L3SEM8	196757	3 m	M8	45 mm	270 N

Slot Size(SS): 8 x 6.5 mm - 8 x 10 mm

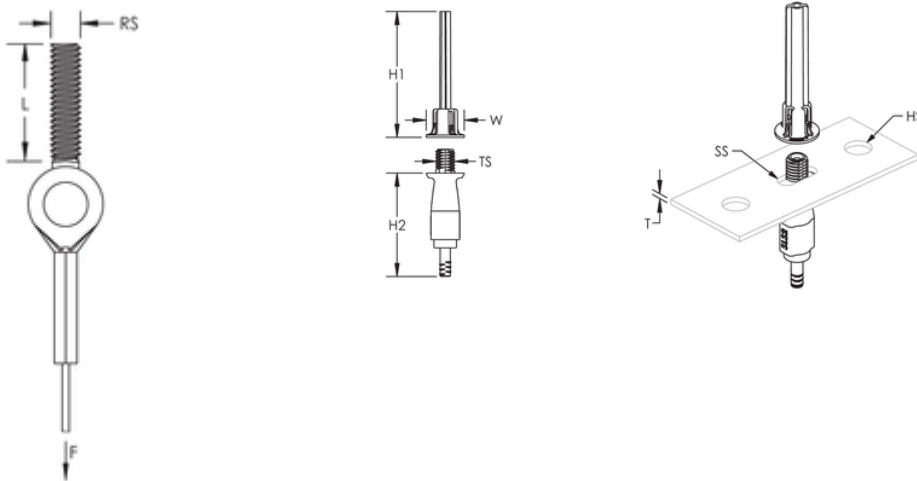
Hole Size(HS):	8 – 10 mm
Width(W):	16 mm
Height 2(H2):	43.5 mm
Height 1(H1):	53 mm
Thread Size(TS):	M8
Thickness(T):	4 mm Max

ADDITIONAL PRODUCT DETAILS

The 2 mm locking device is compatible with C-Channel Types E0 and E0L.

Total load per wire on a multi-tier trapeze must not exceed static load.

DIAGRAMS



WARNING

nVent products shall be installed and used only as indicated in nVent's product instruction sheets and training materials. Instruction sheets are available at www.nvent.com and from your nVent customer service representative. Improper installation, misuse, misapplication or other failure to completely follow nVent's instructions and warnings may cause product malfunction, property damage, serious bodily injury and death and/or void your warranty.

North America

+1.800.753.9221

Option 1 – Customer Care

Option 2 – Technical Support

Europe

Netherlands:

+31 800-0200135

France:

+33 800 901 793

Europe

Germany:

800 1890272

Other Countries:

+31 13 5835404

APAC

Shanghai:

+ 86 21 2412 1618/19

Sydney:

+61 2 9751 8500



Our powerful portfolio of brands:
nVent.com CADDY ERICO HOFFMAN RAYCHEM SCHROFF
TRACER